

Custom Wheels Order www.CarWheels.cn

Order No.:

DESIGN:

Date of Order:

DOC:

VEHICLE INFO

Brand	Model	Year	Vehicle Color	Displacement (cc)	Brake System	Bodykit

WHEEL SPEC OPTION

SIZE		CONCAVITY		VALVE POSITION
FRONT	REAR	FRONT	REAR	
X	X			

WHEEL COLOR OPTION

OUTER LIP		INNER LIP		CENTER DISC				BOLTS	
FINISH	COLOR	FINISH	COLOR	FINISH	COLOR	FINISH	COLOR	FINISH	COLOR

CAP

CUSTOM COLOR / REMARKS

JAPANESE PCD OPTION:

ORDER AMOUNT									
	BASIC	CONCAVE PRICE	FINISH PRICE	QTY	PRICE PER	ACCESSORIES	QTY	PRICE	
FRONT									
REAR									
WHEEL PRICE TOTAL						ORDER AMOUNT TOTAL			



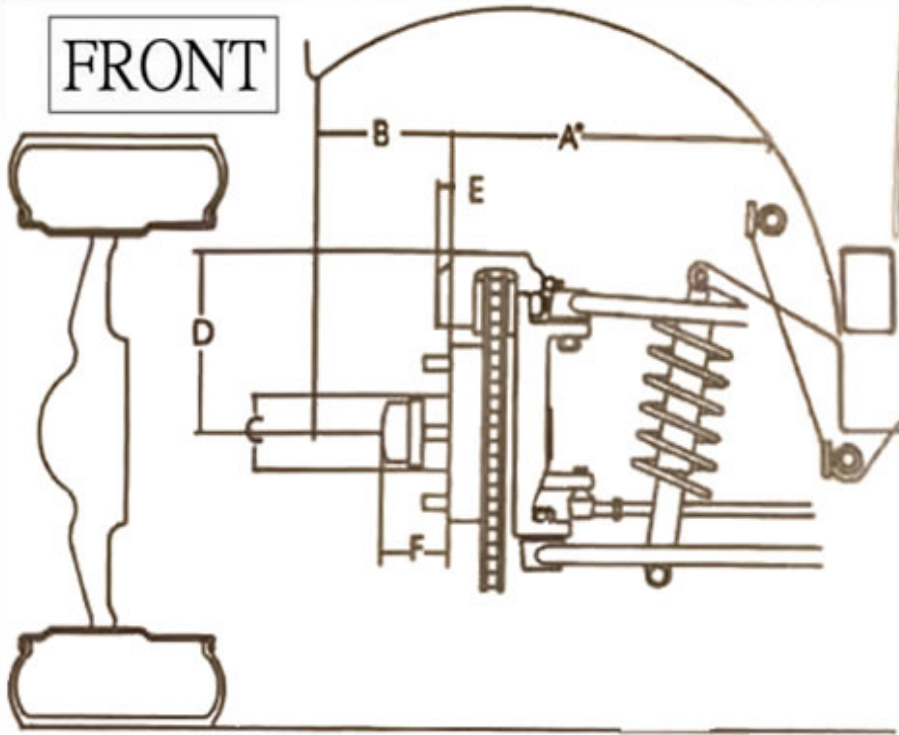
Brake System - Brembo 380MM



Wide Bodykit

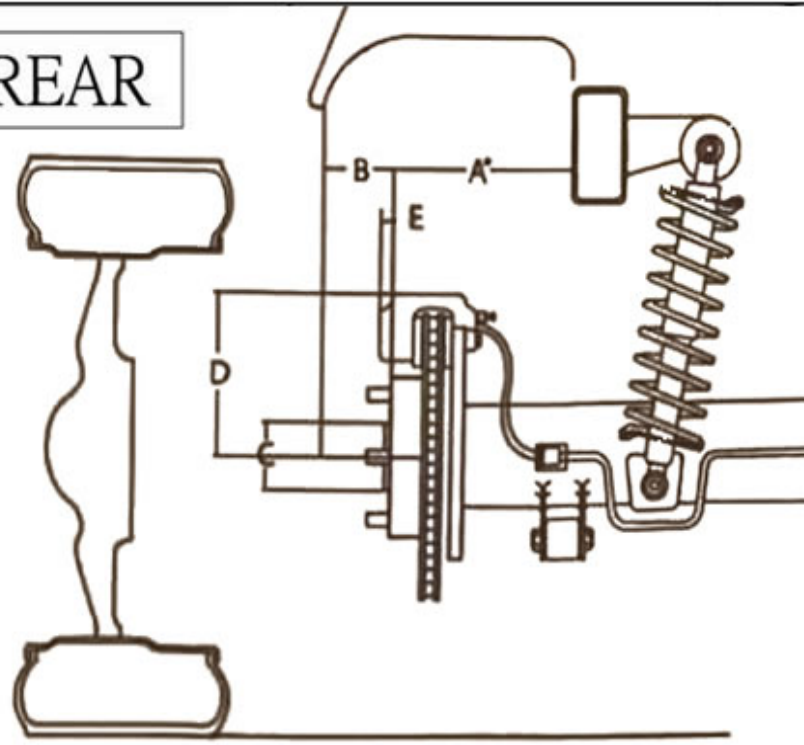
MEASUREMENT LIST

FRONT



- A. The Measurement from Mounting Surface to first obstruction frame side _____ mm
- B. The Measurement from Mounting Surface to fender _____ mm
- C. Hub diameter (CB & PCD) _____ mm
- D. Distance between hub center point to the top edge of caliper. _____ mm
- E. The distance of caliper over the hub mounting surface _____ mm
- F. Protrusion of drive shaft over hub mounting surface _____ mm

REAR



- A. The Measurement from Mounting Surface to first obstruction frame side _____ mm
- B. The Measurement from Mounting Surface to fender _____ mm
- C. Hub diameter (CB & PCD) _____ mm
- D. Distance between hub center point to the top edge of caliper. _____ mm
- E. The distance of caliper over the hub mounting surface _____ mm
- F. Protrusion of drive shaft over hub mounting surface _____ mm

FRONT

A	
B	
C	
D	
E	
F	

REAR

A	
B	
C	
D	
E	
F	